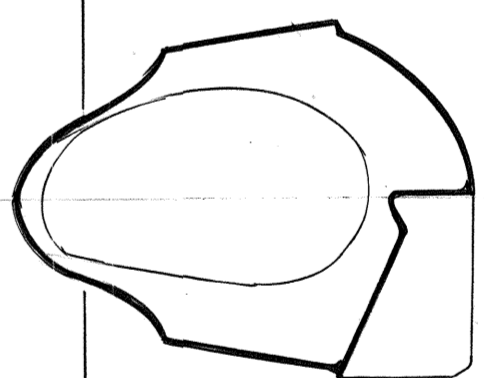
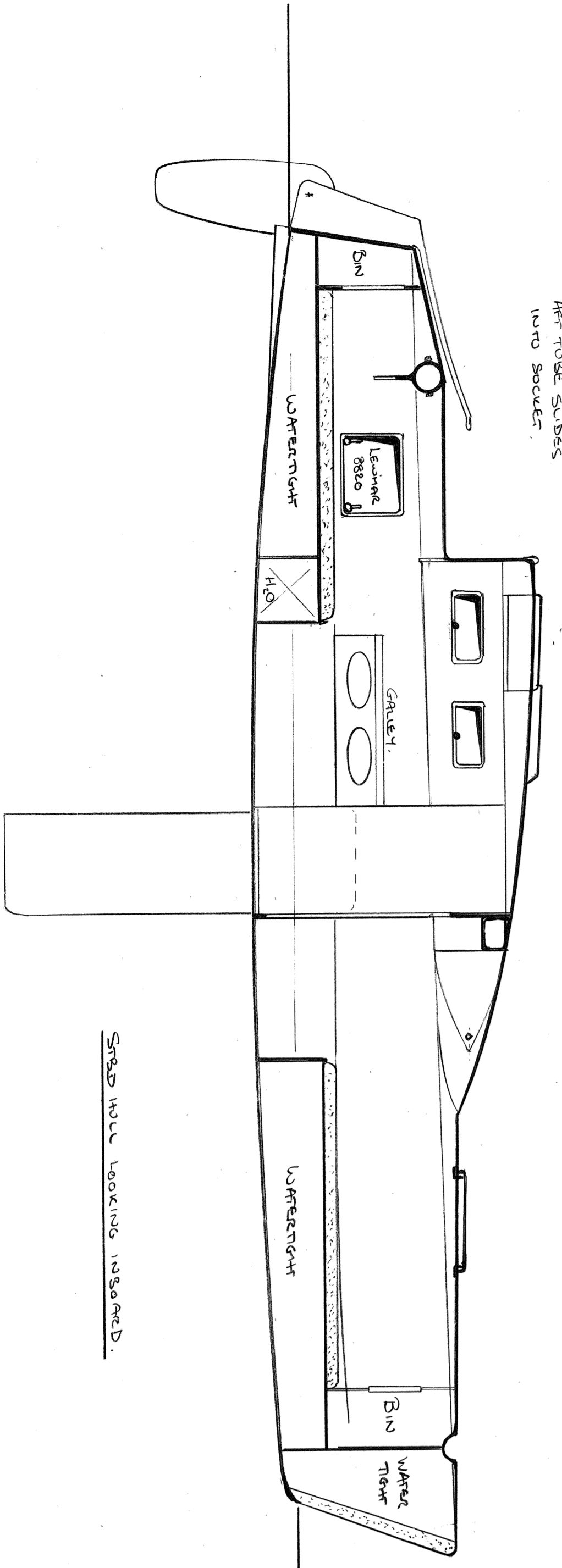
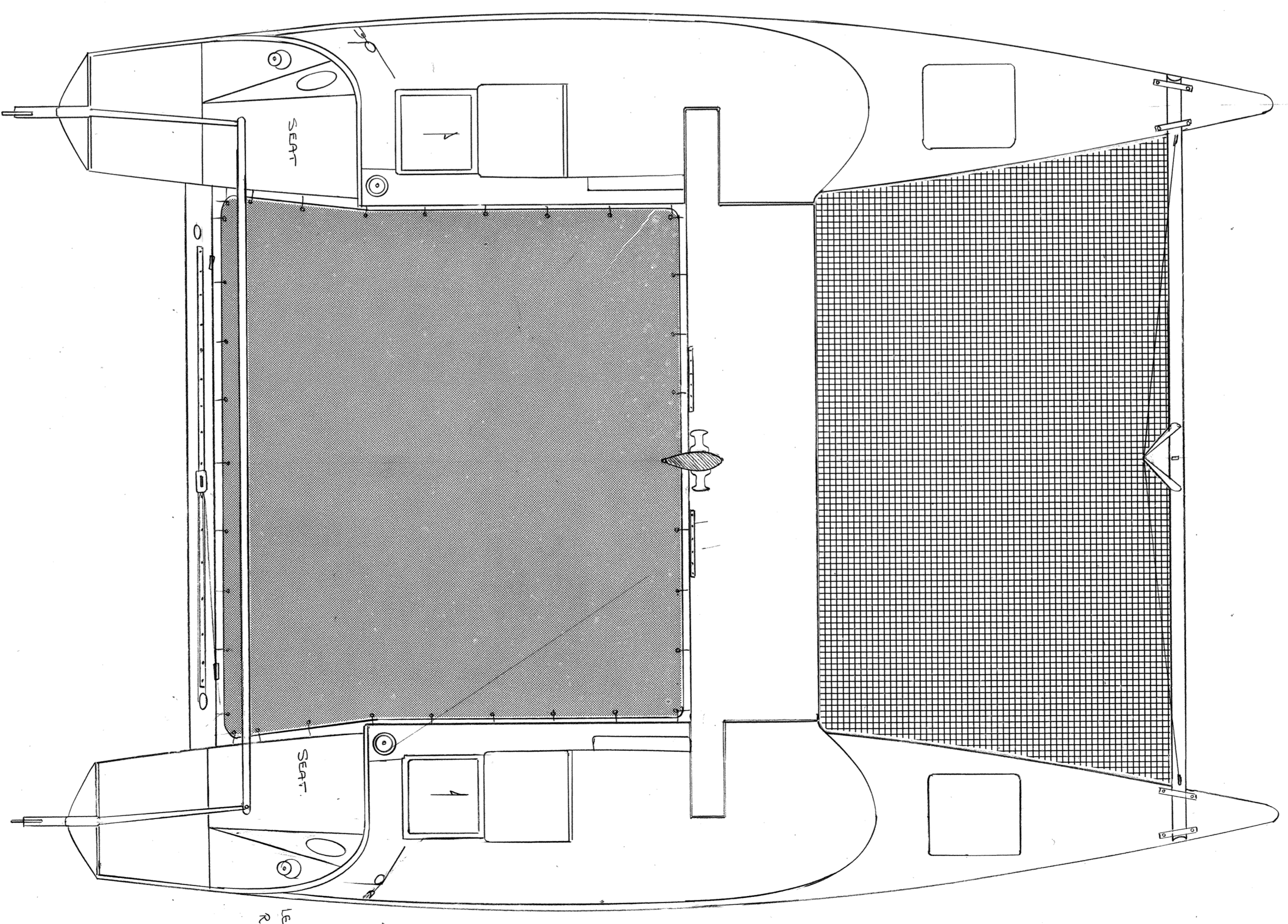
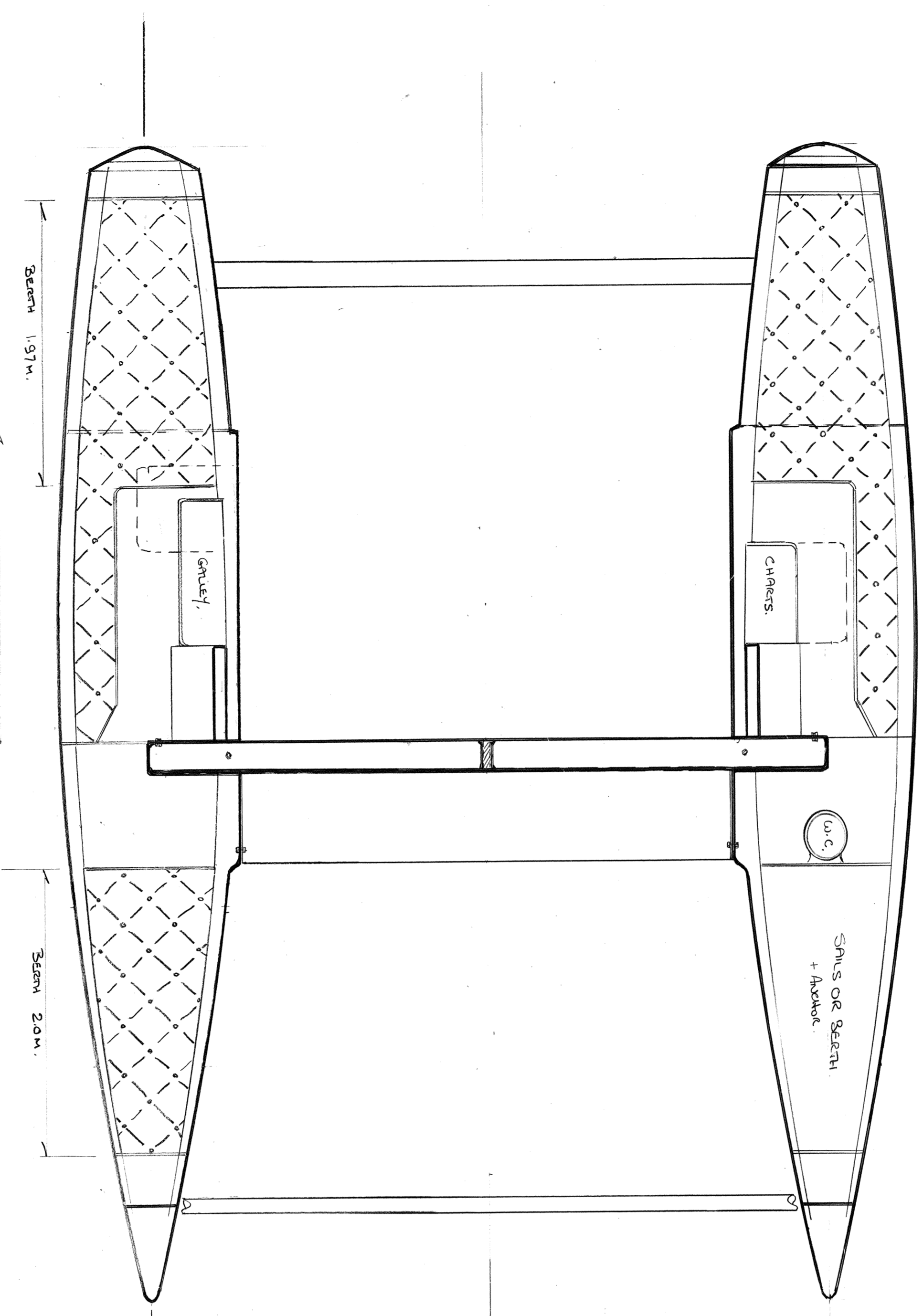
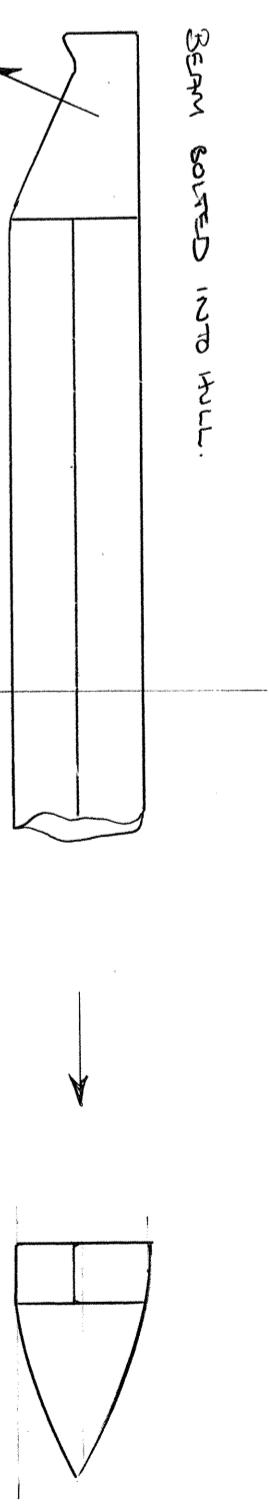


POOR HULL LOOKING OUTWARDS

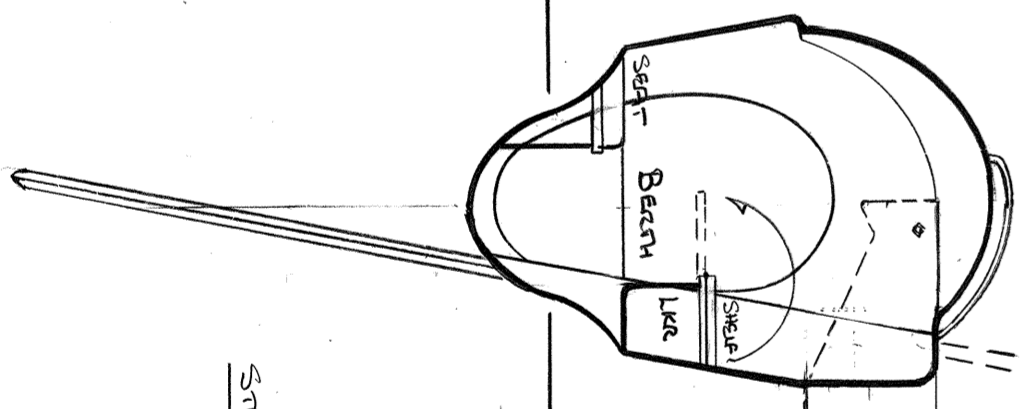


SECTION AT CENTER CROSS BEAM

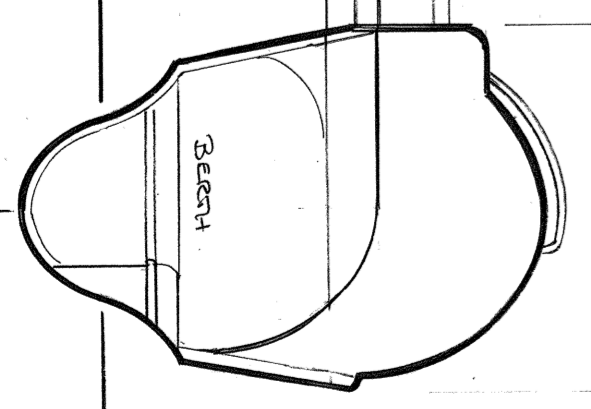


WIND CROSS BEAM BOARDS INTO BOX IN HULL. THEY IS BOLTED IN PLACE.

SEAM HULL LOOKING INWARD.



SEAM HULL LOOKING FORWARD.



SEAM HULL LOOKING AFT

[HULLS BOLTED TOGETHER BOA = 8 FT FOR REPAIRS]